

DunRite Playgrounds

PowerMount Competitor - Product Specification

- 1. WALL STRUCTURE** - Entire wall mount structure shall be constructed of 2" square tubing. Structure shall be designed to allow for a wall-to-backboard offset of 12". Wall structure shall be designed to accommodate any backboard with an industry standard 20"x 35" backboard mounting pattern. All mounting brackets shall be no less than ¼" thick and all hardware shall be grade 5 zinc plated. Structure shall be finished with black powder coat paint. Steel structure shall be attached to support wall with fasteners provided by installer.
- 2. H-FRAME STRUCTURE** - An H-Frame shall be provided with wall structure. The h-Frame shall be constructed of 1 ½" square x 11 gauge tubing. H-Frame shall be 36" tall and provide mounting slots for industry standard 20"x35" mounting. H-Frame shall also include a faceplate no less than 3/16" thick, that allows for rim bolts to pass through backboard and into H-Frame to eliminate risk of backboard breakage when added weight is applied to the rim.
- 3. BACKBOARD** - Constructed of 1/2" thick tempered glass with bright white screening. The framework shall be constructed from clear anodized aluminum "L" type extrusions. Overall backboard size shall be approximately 72" wide and 42" high. Board is predrilled for backboard padding. Meets NCAA and HS specs.
- 4. GOAL DESIGN** - Flexible type so as to absorb the stress of player contact. The rim shall be of institutional quality with an official 5/8" diameter ring. Ring opening diameter shall be the standard 18" I.D. Rim shall have an orange powder coated finish. Heavy-duty nylon net shall be provided. Built in goal leveling feature.
- 5. WARRANTY** - Entire system shall carry a Lifetime Superior Warranty. Shipping weight shall be approximately 230#.



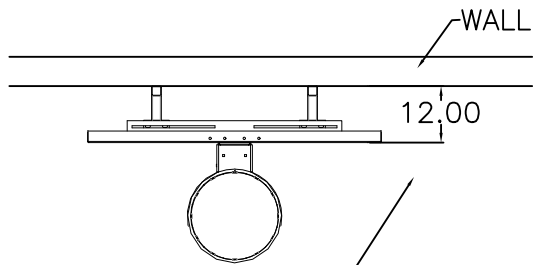
11011 Clodine Rd
Richmond, Texas 77407
sales@dunriteplaygrounds.com



POWERMOUNT BASKETBALL GOAL PRODUCT SUBMITTAL

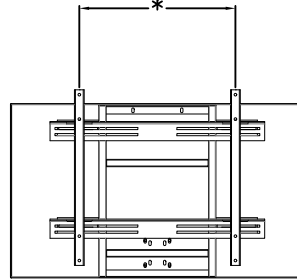
sales@dunriteplaygrounds.com

TOP VIEW

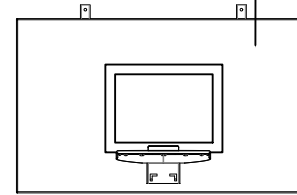


BACKBOARD SIZE 36"x60" TO 42"x72"
AVAILABLE IN TEMPERED GLASS,
CLEAR ACRYLIC, STEEL, ALUMINUM
OR FIBERGLASS

DISTANCE VARIABLE
FROM 12" TO 38"

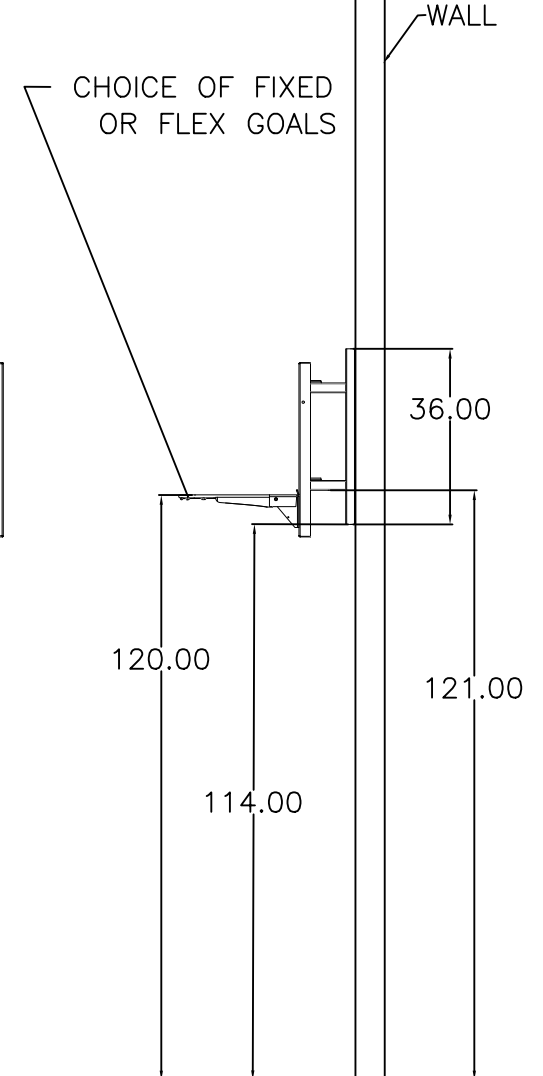


BACK VIEW



FRONT VIEW

SIDE VIEW



ALLOW 15" WALL TO
BACKBOARD IF FT300
HEIGHT ADJUSTER IS USED

PLAYING SURFACE